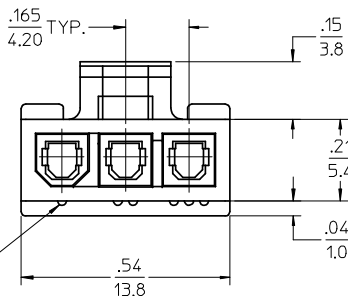
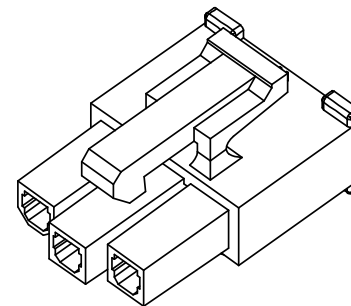
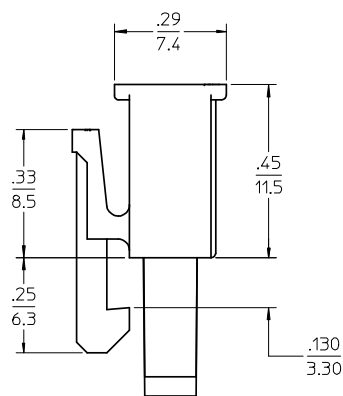
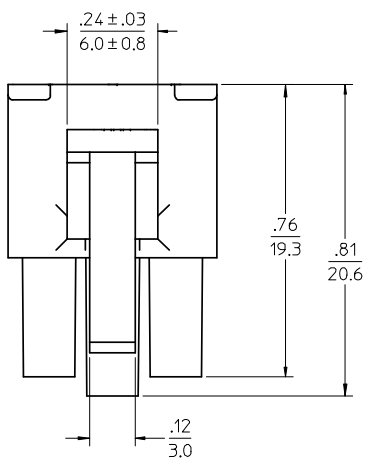
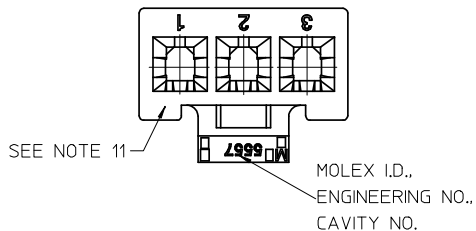
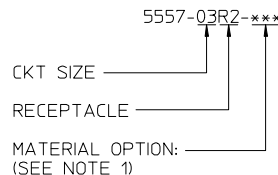


PART NO.	ENG. NO.	CKT SIZE	MATERIAL (SEE NOTE 1)
39-01-4030	5557-03R2	3	UL 94V-2
39-01-4031	5557-03R2-210	3	UL 94V-0
39-01-5039	5557-03R2-BL	3	UL 94V-2, BLACK

LEGEND



NOTES:

- MATERIAL:
 BLANK=NYLON 6/6, UL94V-2, COLOR: NATURAL
 210=NYLON 6/6, UL94V-0, COLOR: NATURAL
 BL=NYLON 6/6, UL94V-2, COLOR: BLACK
- FINISH: NOT APPLICABLE
- PRODUCT SPECIFICATION: PS-5556-001
- PACKAGING: PK-5557-002
- PART MATES WITH MOLEX RIGHT ANGLE HEADER #5569-03A*, VERTICAL HEADER #5566-03A3* AND PLUG #5559-03P*.
- PART TO BE USED WITH MOLEX FEMALE TERMINAL #5556.
- WHEN MATING WITH ANOTHER CONNECTOR, THE CENTER CIRCUIT WILL "MAKE FIRST AND BREAK LAST".
- PART IS NOT DESIGNED FOR CURRENT SHARING.
- CONNECTOR ASSEMBLIES ARE NOT TO BE MATED OR UNMATED WHILE CIRCUITS ARE LIVE.
- WIRES ARE TO BE DRESSED IN SUCH A MANNER TO ALLOW THE TERMINALS TO FLOAT FREELY IN THE POCKET.
- "MX" TRADEMARK MAY BE LOCATED ON LATCH OR SURFACE INDICATED. CAVITY NO. MAY BE LOCATED ON EITHER SIDE OF ENGINEERING NO. ON LATCH.
- PART CONFORMS TO CLASS "B" REQUIREMENTS OF COSMETIC SPECIFICATION PS-45499-002.

REVISE NOTE 11 EC NO: UCP2007-2526 2008/08/19 DRWNG:GVERILL 2008/08/19 CHKD:JBELL 2008/08/22 APPR:FSM:TH	DESCRIPTION REV	QUALITY SYMBOLS ▽=0 ▽=0	GENERAL TOLERANCES (UNLESS SPECIFIED)		DIMENSION STYLE IN/MM		SCALE 4:1	DESIGN UNITS METRIC	THIRD ANGLE PROJECTION	
		4 PLACES ± --- ± --- 3 PLACES ± --- ± .010 2 PLACES ± 0.25 ± .015 1 PLACE ± 0.38 ± --- ANGULAR ± 1/2°	mm INCH DRAWN BY DATE GEP 1990/10/02 CHECKED BY DATE RJF 1990/10/02 APPROVED BY DATE RAS 1990/10/02	TITLE 3 CIRCUIT RECEPTACLE, (MINI-FIT JR.) (MAKE-FIRST/BREAK-LAST)		MOLEX INCORPORATED		SHEET NO. 1 OF 1		
DRAFT WHERE APPLICABLE MUST REMAIN WITHIN DIMENSIONS			MATERIAL NO. SEE CHART		DOCUMENT NO. SD-5557-03R2*					
THIS DRAWING CONTAINS INFORMATION THAT IS PROPRIETARY TO MOLEX INCORPORATED AND SHOULD NOT BE USED WITHOUT WRITTEN PERMISSION										